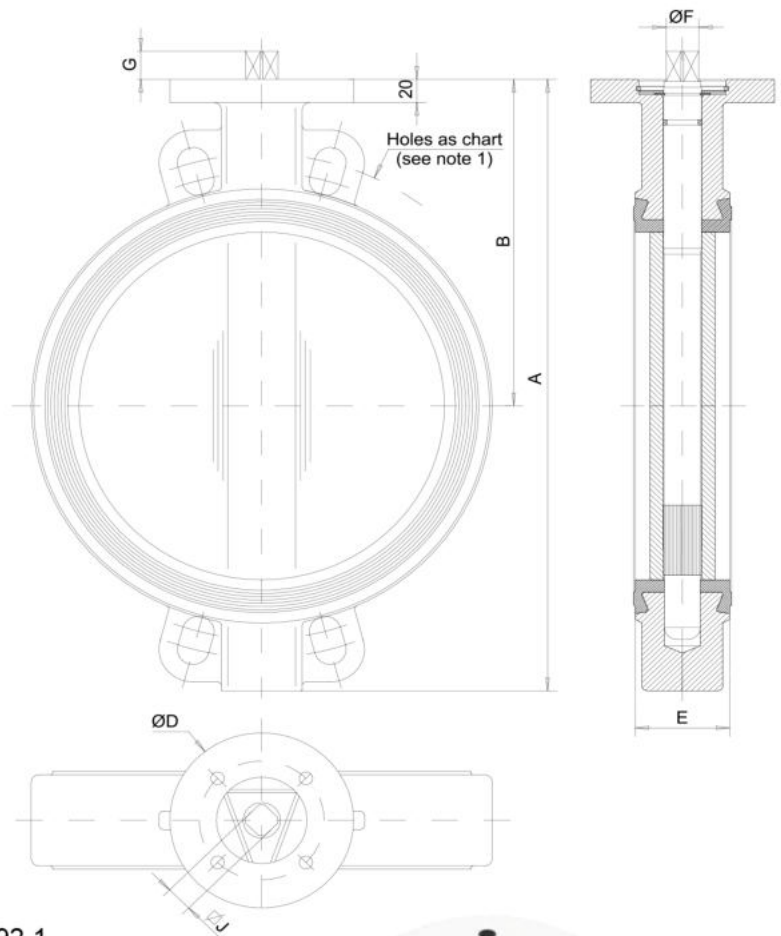


<b>Body</b>	Stainless Steel ASTM A351 CF 8M
<b>Shaft</b>	Stainless Steel ASTM A182 F316
<b>Disc</b>	Stainless Steel ASTM A351 CF 8M
<b>Seat</b>	EPDM
<b>Temperature</b>	-20°C up to +110°C
<b>Tolerances</b>	ISO 2768-M
<b>Face to Face</b>	EN 558 Series 20 ISO 5752 Series 20 API 609 Table 1 BS 5155 Series 4
<b>Pressure test according to:</b>	EN 12266-1, ISO 5208: Body: 1.5×PN Seat: 1.1×PN
<b>Mounting between flanges</b>	PN10/16 ISO 7005, DIN 2501, EN 1092-1 ANSI class 150: ANSI B16.5
<b>Tightness test</b>	ISO 5208, zero leakage API 598



(Note 1) Holes as PN10-16 & ANSI 150Lb

(Note) dimensions and standards may vary without announcement. Colours are orientative.

DN		A	B	D	E	F	G	J	ISO 5752 Connection	Weight Kg
mm	inch									
250	10"	461	248	150	68	25	24	19	F10	21,5
300	12"	524	280	150	78	28	24	22	F10	30
350	14"	570	300	170	78	28	29	22	F14	39
400	16"	644	340	170	102	35	29	27	F14	52