

Ref. : VGB 4400-08

Rev. : Initial

Date : 17/03/2021

Page : 1/1

KNIFE GATE VALVE WITH GEARBOX

VGB 4400-08



APPLICATION

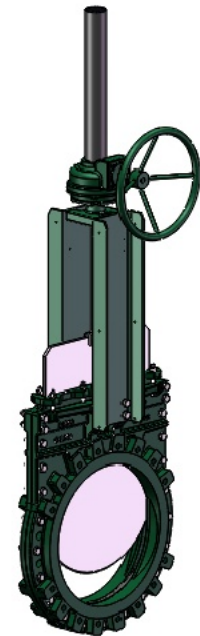
General use: pulp production, water, water treatment, waste water, wine-producing...

GENERAL CHARACTERISTICS

Bi-directional tight knife gate valve.
Function ON/OFF or regulation.
Between flanges connection according to ISO PN10.
Mounting only on horizontal pipeline.
Complete Sealed by nitrile elastomer seat
Operated by gear box

CONSTRUCTION

11	1	Protection tube	Steel
10	1	Handwheel	Cast iron
9	1	Gearbox	
8	2	Support plate	Epoxy coated steel
7	1	Stem	Stainless steel 410
6	1	O ring	NBR
5	2	Packing	PTFE
4	1	Gland packing	Ductile iron EN-GJS-500-7
3	1	Gate	Stainless steel 304
2	1	Seat	NBR
1	1	Body	Ductile iron EN-GJS-500-7
Pos.	Qty	Description	Material



DIMENSIONS

DN		A	B	C	D	E	H	H1	Ø V	Ø K	nxM	Weight (kg)
mm	inch											
450	18"	114	630	315	290	317	1699	1185	400	565	14-M24	243
500	20"	127	700	350	290	317	1861	1297	400	620	16-M24	328
600	24"	154	800	400	290	317	2169	1505	400	725	16-M27	444

⊕ - Through holes

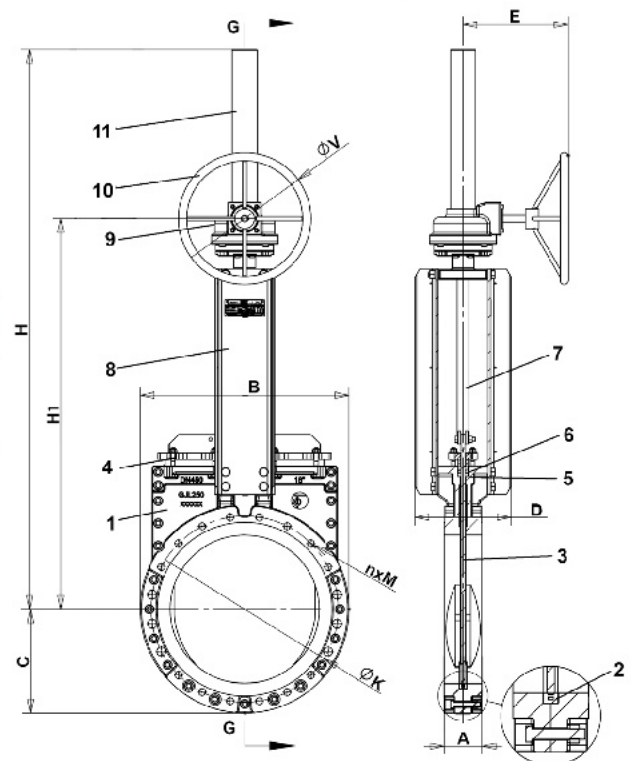
WORKING CONDITIONS

Maximum working pressure : DN450 : 7 bar
DN500-600 : 4 bar

Maximum working temperature : -10°C / +80°C

STANDARDS

Test procedures are established according to standards EN 12266-1, DIN 3230, BS 5154 and ISO 5208.
Connections between flanges according to standards EN 1092-2 and DIN 2501 : ISO PN10.



Bidirectional tightness

The photographs and technical art works are not contractual. The specifications of the presented products are open to modifications without previous advice.