

General use : Pulp production, water, water treatment, waste water, chemical industry (powdery or crystallizing products), wine-producing, pulverized products (cement work, pneumatic transport, stocking).

GENERAL CHARACTERISTICS

Function ON/OFF or regulation, valve with rising stem.
 Wafer threaded mounting ISO PN10.
 Unidirectional tightness, direction indication thanks to the arrow on the body.
 Small retention zone: the gate is guided in the body and has little clearance.
 Gland assembly: packing and O-ring (same materials as seat joint) to assure the elasticity and decrease the operating torque. Small head loss. Possibility to regulate thick fluids with the adaptation of a diaphragm ring.
 Gear box with ISO mounting plate.

CONSTRUCTION

11	1	Protection tube	
10	1	Gear box with ISO plate	
9	2	Support plate	Steel
8	1	Stem	Stainless steel 410
7	1	O ring	NBR
6	1	Support ring	Stainless steel 316
5	1	Gate	Stainless steel 304
4	1	Packing gland	Ductile iron EN-GJS-400-15
3	1	Packing	PTFE
2	1	Gasket	NBR
1	1	Body	Cast iron EN-GJL-250
Pos.	Q-ty	Description	Material

DIMENSIONS

DN		A	B	C	D	E	G	H	ØK	n-M	Weight (kg)
mm	inch										
700	28"	110	892	462	300	200	780	1742	840	32-M27	410
800	32"	110	1013	530	300	200	880	1958	950	32-M30	560
900	36"	110	1127	583	355	200	1025	2210	1050	40-M30	780
1000	40"	110	1252	645	355	200	1115	2402	1160	40-M33	985
1200	48"	130	1485	755	396	200	1335	2819	1380	48-M36	1635

WORKING CONDITIONS

Maximum working pressure : 2 bar.

Maximum working temperature : -10°C / + 80°C.

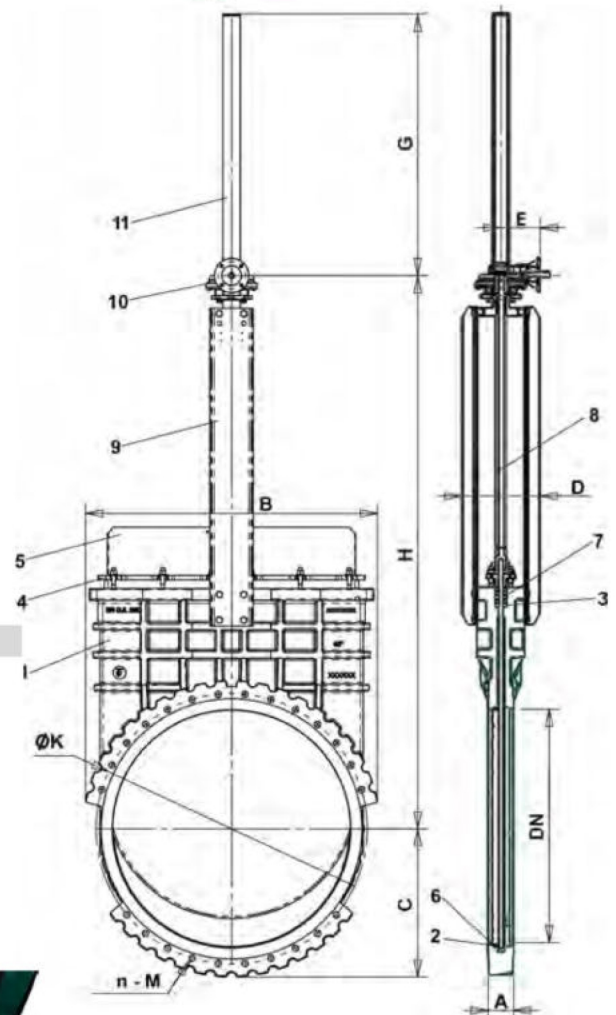
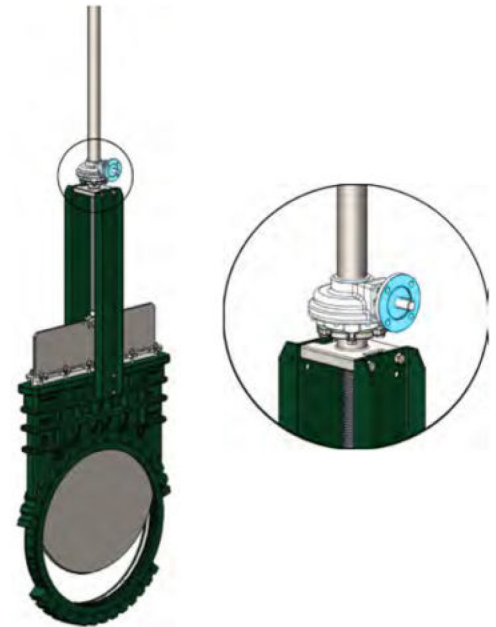
STANDARDS

Connection	Testing standards	PED/ATEX
EN 1092-2 PN10	EN 12266-1	Complies with European directive
DIN 2501 PN10	DIN 3230	2014/68/EU "equipment under pressure"
	BS5154	modulate H.
	ISO 5208	

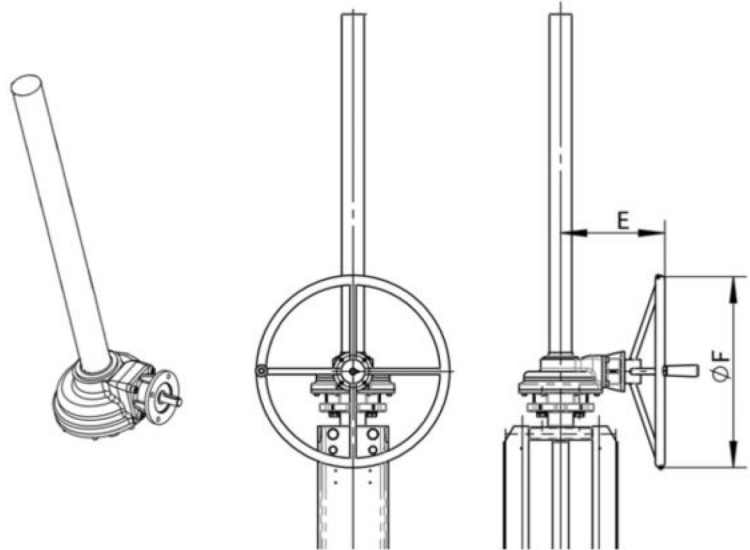
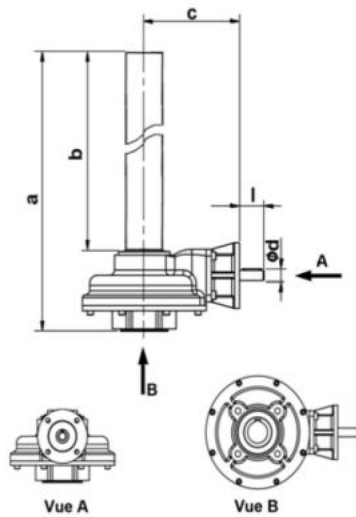
In option: product complies with the European directive ATEX "Explosive atmospheres" N° 94/9/CE: ATEX II 2 GD c et ATEX II 3 GD c.

Others material on request (If marked)	Maximum temperature	
Metal / metal	T max : -10°C / +80°C.	<input type="checkbox"/>
White NBR	T max : -10°C / +80°C.	<input type="checkbox"/>
EPDM	T max : -10°C / +130°C.	<input type="checkbox"/>
Silicone	T max : -10°C / +170°C.	<input type="checkbox"/>
FPM (Type Viton®)	T max : -10°C / +170°C.	<input type="checkbox"/>
PTFE***	T max : +4°C / +170°C.	<input type="checkbox"/>
CSM (Type Hypalon®)	T max : +4°C / +80°C.	<input type="checkbox"/>

*** Minimum working pressure : 1 bar



GEAR BOX DIMENSIONS

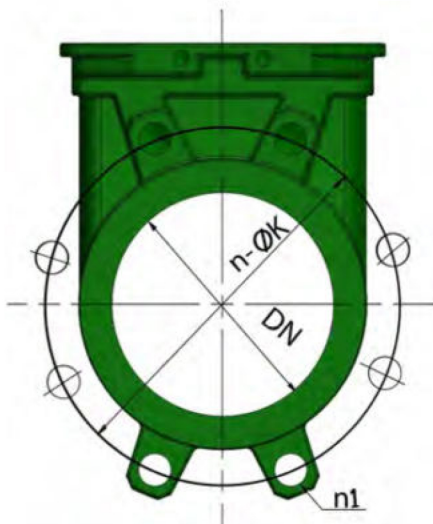


Gearbox with handwheel

DN		a	b	c	d	l	Valve input			Gearbox input			Gearbox with handwheel	
mm	inch						Torque* Nm	Number of turn	ISO 5210	Torque* Nm	Number of turn	ISO 5210	E	ØF
700	28"	991	736	177	20	51	220	102	F14	68	612	F10	200	500
800	32"	999	844	177	20	51	250	117	F14	76	702	F10	200	500
900	36"	1128	961	200	20	51	300	115	F16	65	690	F10	200	600
1000	40"	1222	1055	200	20	51	380	128	F16	80	768	F10	325	600
1200	48"	1451	1284	200	30	51	480	153	F16	102	918	F14	325	700

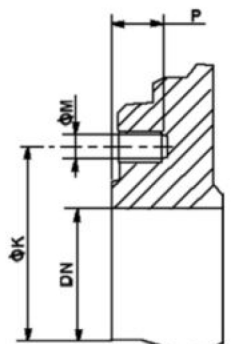
* Torque values doesn't include safety factor

CONNECTION



Connection between flanges EN 1092-1 : ISO PN10

DN	n	n1	ØK	ØM	P
700	24	16	840	M27	22
800	24	16	950	M30	22
900	28	20	1050	M30	22
1000	28	20	1160	M33	22
1200	32	22	1380	M36	22



Body details